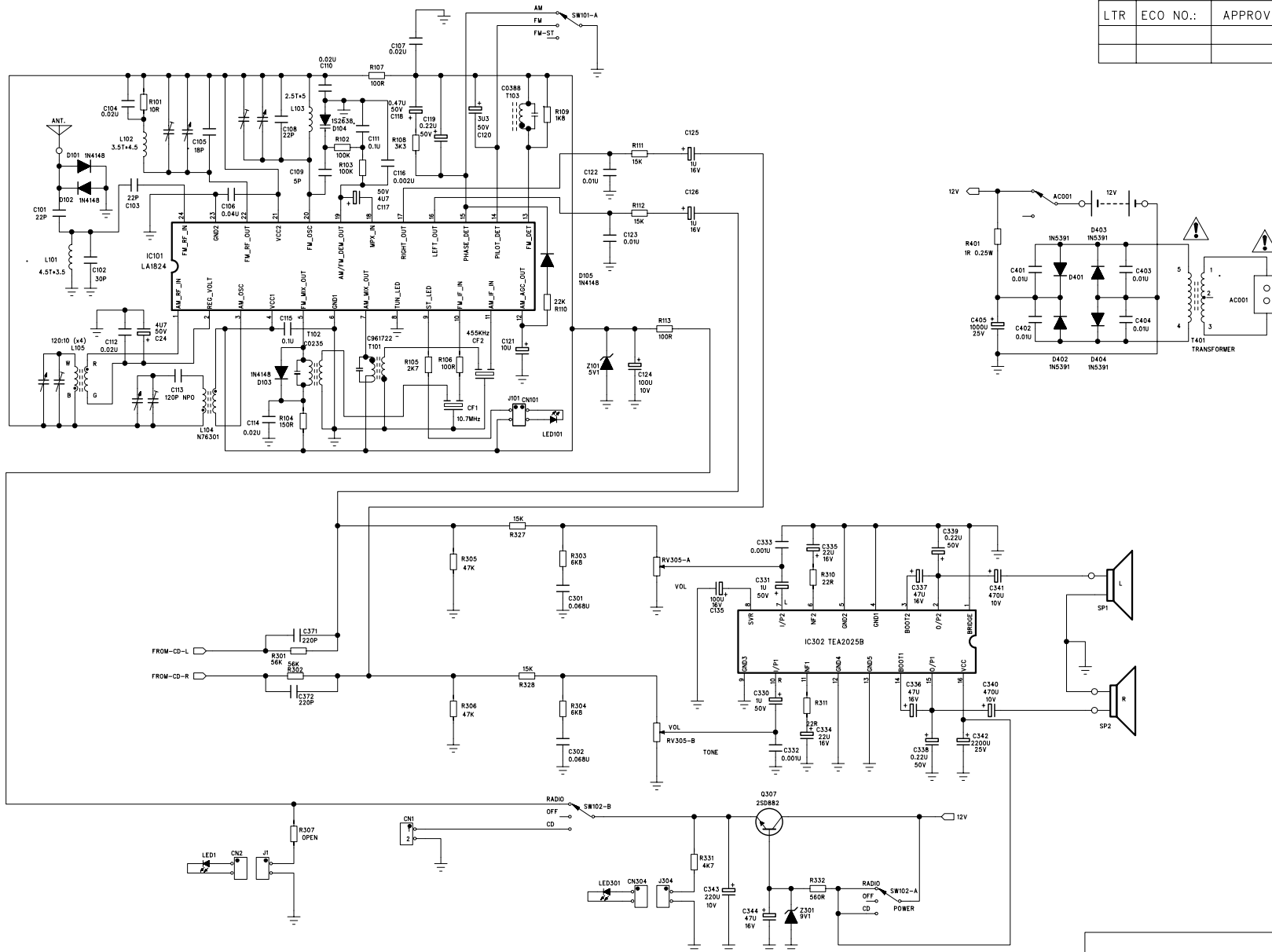


MODEL: pc-387-cd  
 DRAWN: xie.f.y DATE:20030301

REVISION

LTR	ECO NO.:	APPROVED:	DATE:



MODEL: PC-387-PB

DRAWN: EDMOND DATED: 2002-5-15